

3

6

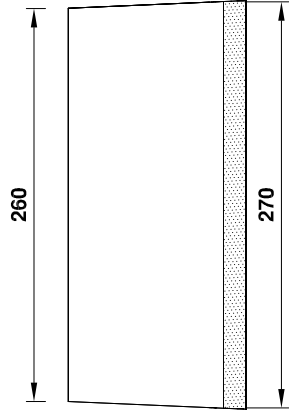
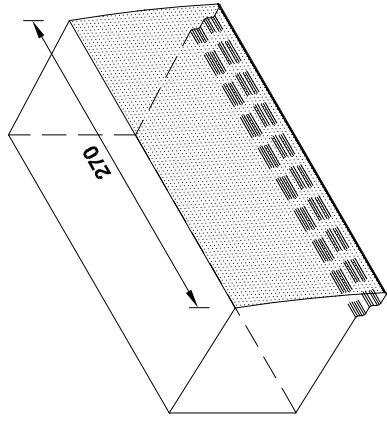
1

S

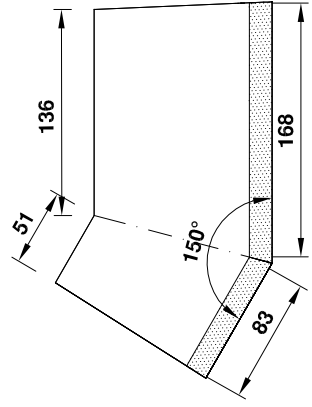
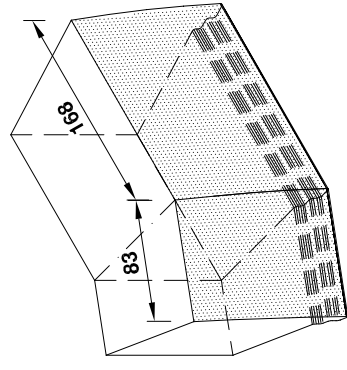
D

D

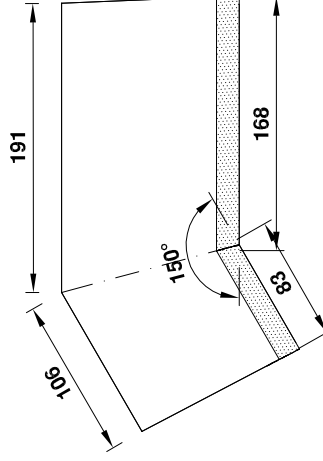
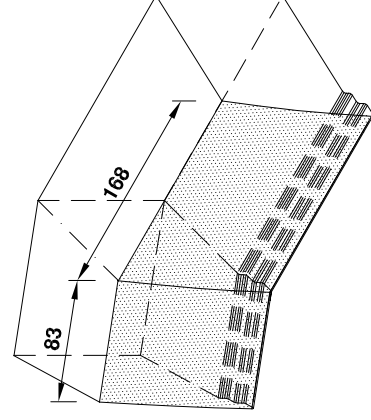
CAD



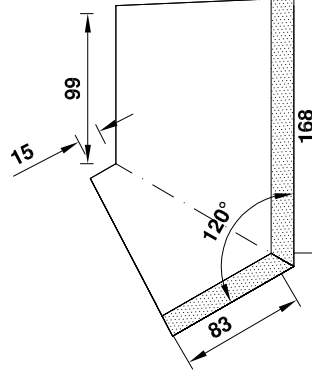
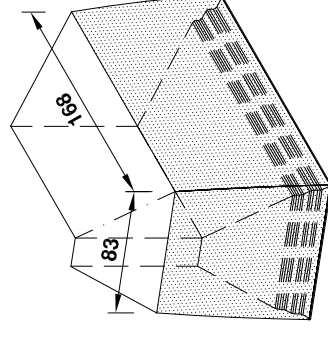
TB.11 Wide Tilebrick (For Cutting)



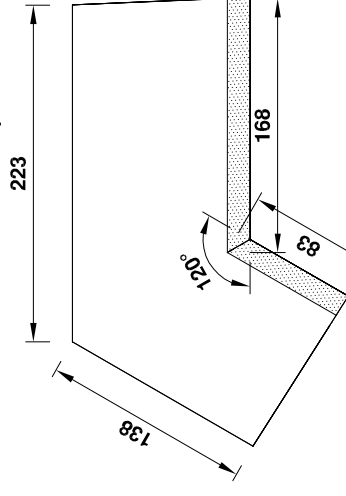
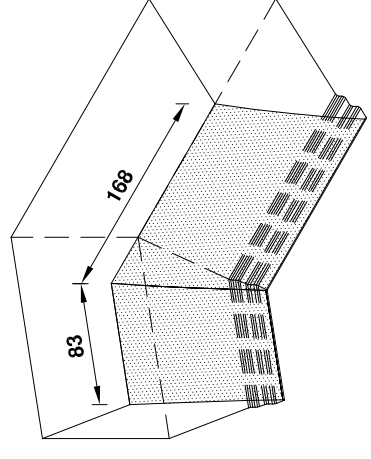
TB.12 30° External Angle Tilebrick - LH Shown RH Also Available



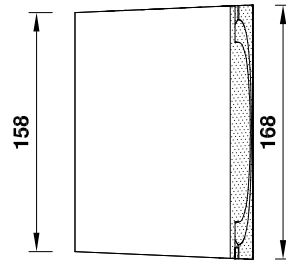
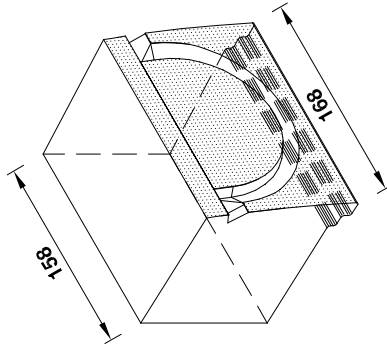
TB.13 30° Internal Angle Tilebrick - LH Shown RH Also Available



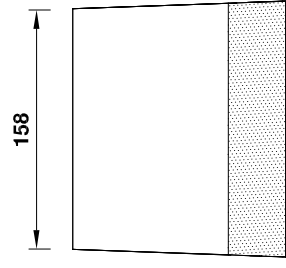
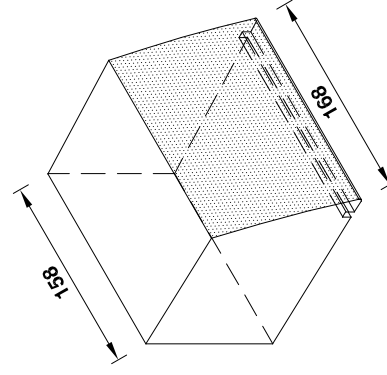
TB.14 60° External Angle Tilebrick - LH Shown RH Also Available



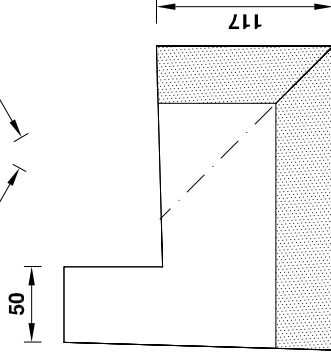
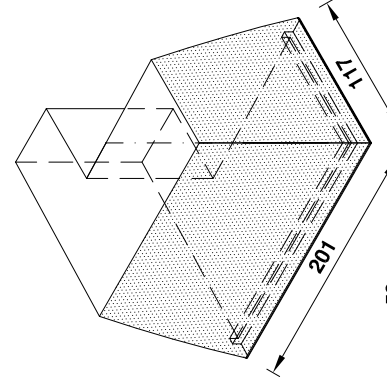
TB.15 Internal Angle Tilebrick - LH Shown RH Also Available



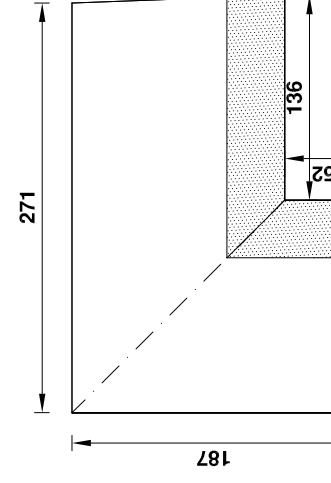
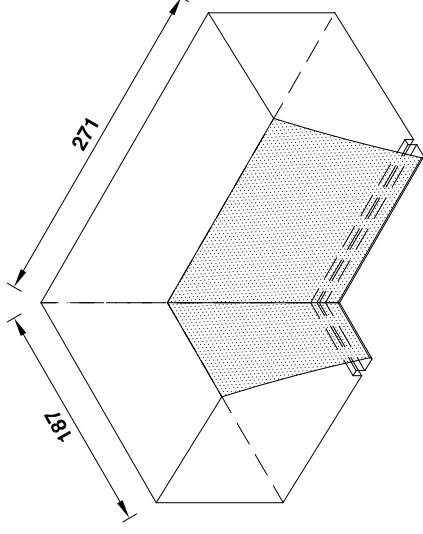
TB.16 Club Tilebrick



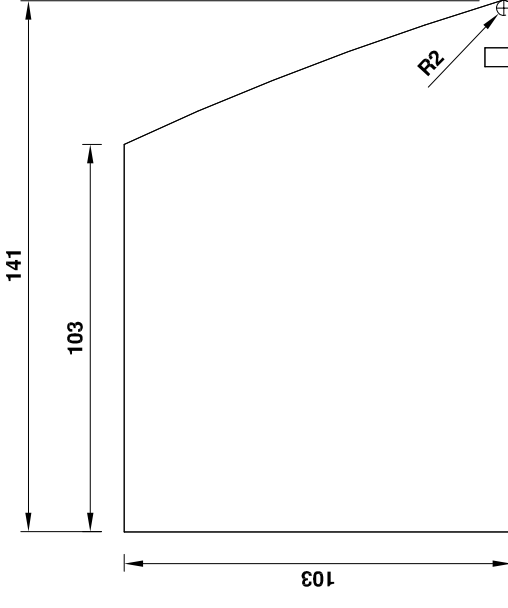
TB.18 Standard Angle Tilebrick - For Render



TB.19 External Return Angle Tilebrick - For Render - RH Shown LH Also Available



TB.20 Internal Return Angle Tilebrick - For Render - LH Shown RH Also Available



Curved Tilebrick Profile - For Render Scale (1:2)

Notes:

All Specials Available in Left Hand & Right Hand variations.
All Specials Available in All Tilebrick Profiles

REVISION NOTES

- A** 26/06/14 VARIOUS DIMENSIONS ALTERED
- A** 16/10/14 PERFORATIONS REMOVED

| | | | |
|---|--------------|---------------------|--------|
| REV: | DATE: | NOTES: | BY: |
| TITLE: TILEBRICK SPECIAL SHAPES SHEET 2 | | | |
| PROJECT: THE IBSTOCK TILEBRICK | | | |
| DRAWN: Mark Johnson | CHECKED: | | |
| DATE: 17/04/2014 | SCALE: at A3 | DWG NO: CAD14/02-04 | REV: B |

Design Advice Hotline
0844 800 4576
www.ibstock.com

THE INFORMATION SHOWN ON THIS DRAWING IS SENT IN CONFIDENCE AND MUST NOT BE USED FOR ANY PURPOSE OTHER THAN THAT FOR WHICH IT IS SUPPLIED. REFER ANY OMISSIONS OR ERRORS TO IBSTOCK BRICK LTD. (DO NOT SCALE FROM THIS DRAWING. MODIFY ON CAD ONLY).

IBSTOCK BRICKS SHOWN ON THIS DRAWING ARE DESIGNED AND MANUFACTURED UNDER THE CONTROL OF IBSTOCKS C.I.C.S. REGISTERED QUALITY ASSURANCE SCHEME WHICH COMPLIES WITH BS EN ISO 9001. COPYRIGHT © IBSTOCK BRICK LTD